

# FR 1052.SCC.SC



|                    |                                |
|--------------------|--------------------------------|
| <b>SLIDE TYPE:</b> | Regular-Extension Drawer slide |
| <b>MOUNTING:</b>   | Side Mount                     |

|                       |                                |
|-----------------------|--------------------------------|
| <b>WIDTH:</b>         | 18 mm (0.71 in.)               |
| <b>LOAD CAPACITY:</b> | dynamic up to 55 kg (125 lbs.) |



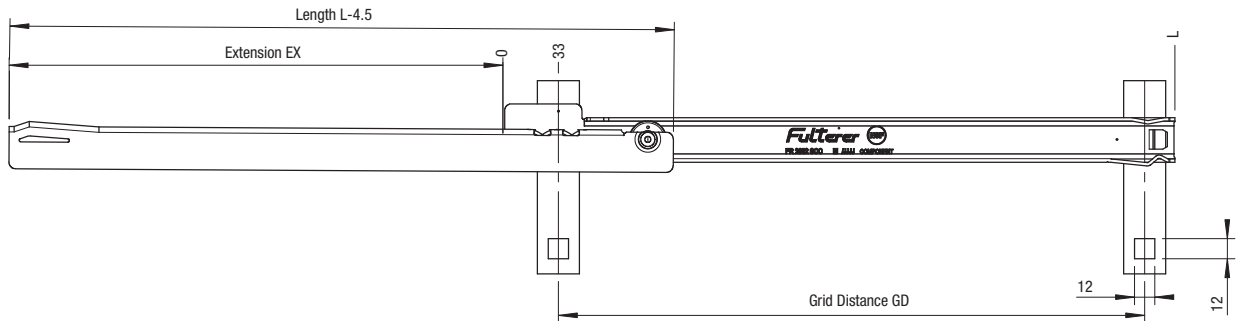
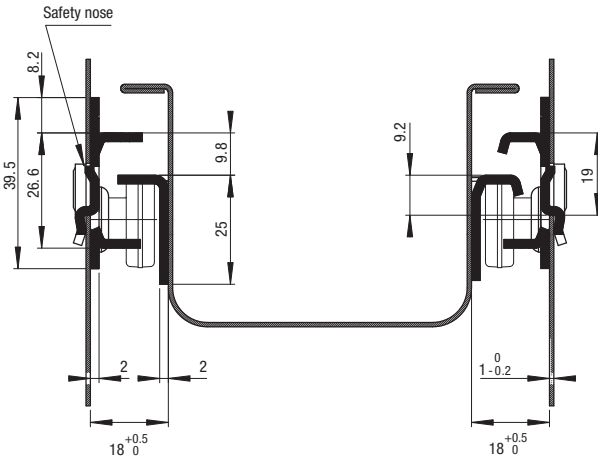
|                  |                              |
|------------------|------------------------------|
| <b>MATERIAL:</b> | stainless steel 1.4509 (SCC) |
|------------------|------------------------------|

|                  |                |
|------------------|----------------|
| <b>FEATURES:</b> | silent rollers |
|------------------|----------------|

|  |
|--|
| <b>SPECIFICATIONS:</b>   |
| <ul style="list-style-type: none"> <li>▶ cabinet profile with bayonet mounting tabs and safety nose</li> <li>▶ drawer profile without screw holes, welding only</li> <li>▶ lateral stability provided by specially shaped profiles</li> <li>▶ single-sided captive profile (right)</li> <li>▶ rear backstop</li> <li>▶ self-closing</li> </ul> |

|   |
|---|
| <b>NOTE:</b>  |
| ▶ compatible with full-extension drawer slide FR 785.SCC.SC |

|  |
|--|
| <b>APPLICATION ADVANTAGES:</b>   |
| <ul style="list-style-type: none"> <li>▶ tool-less quick assembly of cabinet profile</li> <li>▶ a common mounting cutout of 12mm x 12mm square is used to mount the slide</li> </ul> |



| Length L |       | EX  |       | GD  |       | Weight per pair |       | Order No. |
|----------|-------|-----|-------|-----|-------|-----------------|-------|-----------|
| mm       | in    | mm  | in    | mm  | in    | kg              | lbs   |           |
| 400      | 15.75 | 294 | 11.57 | 349 | 13.74 | 0.97            | 2.139 | 5302      |
| 450      | 17.72 | 344 | 13.54 | 399 | 15.71 | 1.09            | 2.40  | *         |
| 500      | 19.69 | 394 | 15.51 | 449 | 17.68 | 1.21            | 2.67  | 5304      |
| 550      | 21.65 | 424 | 16.69 | 499 | 19.65 | 1.33            | 2.93  | *         |
| 600      | 23.62 | 474 | 18.66 | 549 | 21.61 | 1.45            | 3.20  | 5306      |
| 650      | 25.59 | 524 | 20.63 | 599 | 23.58 | 1.57            | 3.46  | *         |
| 700      | 27.56 | 574 | 22.60 | 649 | 25.55 | 1.69            | 3.73  | *         |
| 750      | 29.53 | 624 | 24.57 | 699 | 27.52 | 1.82            | 4.01  | *         |

Packing Unit: 15 sets per box

\* on request

