

# FR 1601

**PRODUCT TYPE:** Keyboard Tray Pull-Out, wide

**LOAD CAPACITY:** dynamic up to **34 kg (75 lbs.)**

**MOUNTING:** Top Mount

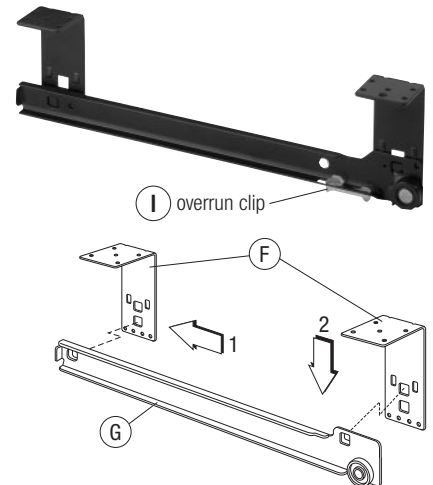
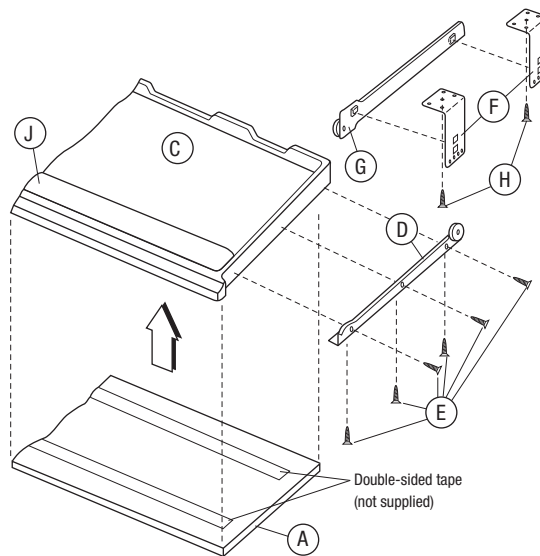
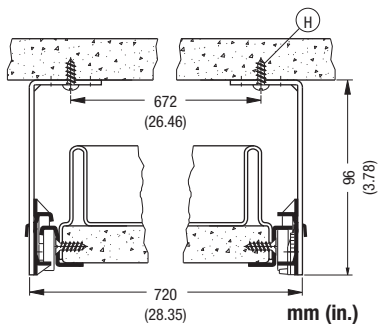


**MATERIALS:** drawer slide: powder coated cold rolled steel  
tray: polystyrene, textured

**FEATURES:** nylon rollers

**SPECIFICATIONS:**

- ▶ keyboard tray pull-out can be used for all keyboard designs
- ▶ easy to add to existing furniture and work surfaces
- ▶ roller drawer slide with 6 pull-out stops
- ▶ very user-friendly
- ▶ screw-mount brackets permit installation under any work surface
- ▶ overrun clip incorporated into cabinet profile prevents pull-out from accidentally coming out
- ▶ slotted back for ease of cable management
- ▶ the extra width of this keyboard pull-out allows the mouse to be used on either side of the keyboard
- ▶ a convenient pencil tray on the rear adds versatility
- ▶ a very comfortable gel wrist support is included



Dimensions:	Width		x	Depth		x	Height		Weight	Order No.
	mm	in		mm	in		mm	in		
	720	28.35	x	380	14.96	x	96	3.78	*	6000350
Packing Unit:	1 set per box consisting of: 1 piece keyboard tray (C), 1 piece bottom board (A), 1 pair drawer slide (D) and (G), 4 pieces brackets (F), 1 piece gel wrist support (J), Screws and mounting instructions									* on request