

FR 5066

SLIDE TYPE:	Regular-Extension Ball Bearing Keyboard Slide
MOUNTING:	Bottom Mount

WIDTH:	12.7 mm (0.5 in.)
LOAD CAPACITY:	dynamic up to 34 kg (75 lbs.)

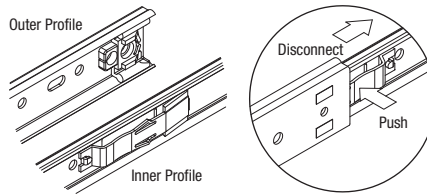
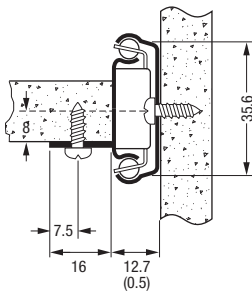


MATERIAL: cold rolled steel

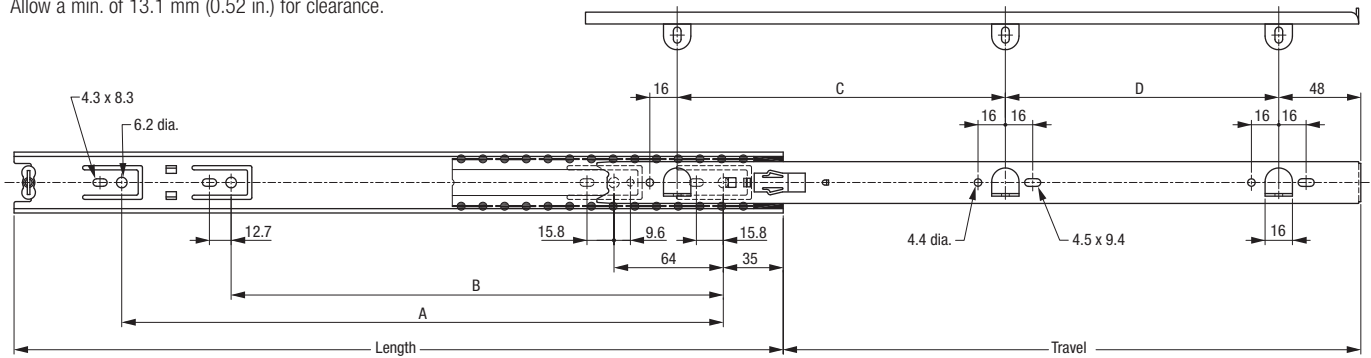
FEATURES: steel ball bearings and bottom mounting tabs

SPECIFICATIONS:

- ▶ positive Out-Stop in open position
- ▶ mounting tabs on drawer profile for better alignment
- ▶ easy push and click disconnect



12.7 mm (0.5 in.) is the actual size of the slide.
Allow a min. of 13.1 mm (0.52 in.) for clearance.



Length	Travel		A		B		C		D		Weight	Order No.	Order No.	
	mm	in	mm	in	mm	in	mm	in	mm	in				kg
300	11.81	205	8.07		224	8.82	96	3.78	128	5.04	*	*	*	
350	13.78	243	9.57		224	8.82	128	5.04	128	5.04	*	61125	61124	
400	15.75	300	11.81	320	12.60	224	8.82	192	7.56	128	5.04	*	61126	61129
450	17.72	338	13.31	352	13.86	224	8.82	192	7.56	160	6.30	*	61123	*
500	19.69	375	14.76	416	16.38	224	8.82	224	8.82	192	7.56	*	61127	*
550	21.65	413	16.26	416	16.38	224	8.82	256	10.08	192	7.56	*	*	61130
600	23.62	450	17.72	480	18.90	224	8.82	288	11.34	224	8.82	*	*	*
650	25.59	488	19.21	544	21.42	224	8.82	288	11.34	256	10.08	*	*	*

Packing Unit: 30 pair per box

*on request