

FR 5162

SLIDE TYPE:	Regular-Extension Ball Bearing Pencil Tray Slide
MOUNTING:	Top Mount

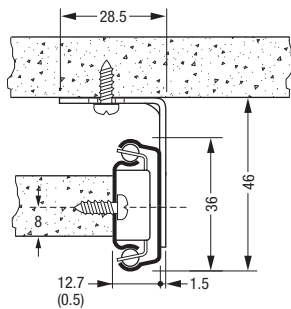
WIDTH:	N/A
LOAD CAPACITY:	dynamic up to 34 kg (75 lbs.)



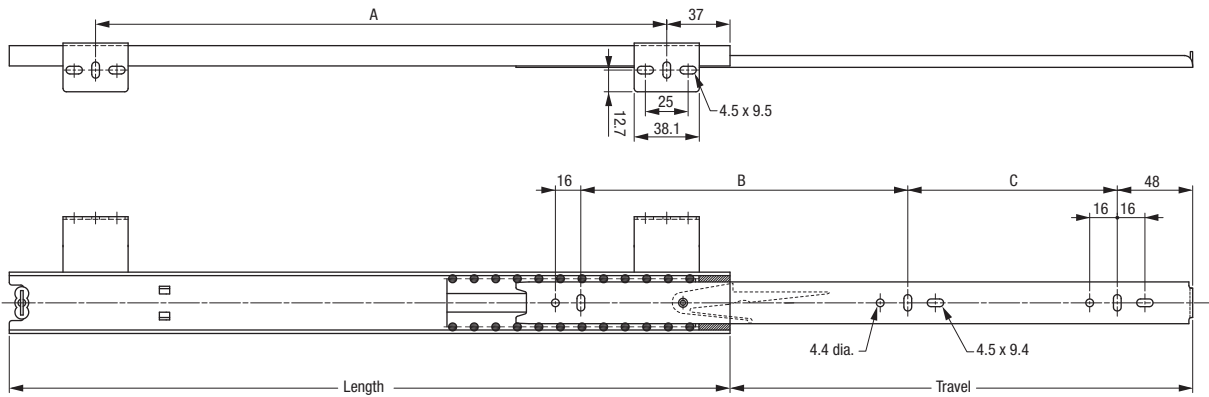
MATERIAL:	cold rolled steel
------------------	-------------------

FEATURES:	steel ball bearings
------------------	---------------------

SPECIFICATIONS:
<ul style="list-style-type: none"> ▶ simple top mounting by means of brackets welded to the slide ▶ suited for pencil trays, work surface extensions and/or to add a drawer ▶ drawer profile features an easy to operate disconnect finger release trigger ▶ hold-close detent ▶ pencil trays can be supplied with the FR 5162 on request



NOTE:
▶ see FR 5060 for adjustable bracket version



Length	Travel	A		B		C		Weight	Order No.	Order No.	
mm	mm	mm	in	mm	in	mm	in	kg	zinc	black	
300	11.81	225	8.86	224	8.82	106	4.17	128	5.04	*	*
350	13.78	263	10.35	288	11.34	142	5.59	128	5.04	*	61133
400	15.75	300	11.81	320	12.60	192	7.56	128	5.04	*	61136
450	17.72	338	13.31	384	15.12	192	7.56	160	6.30	*	61135
500	19.69	375	14.76	416	16.38	224	8.82	192	7.56	*	61141
550	21.66	413	16.26	480	18.90	256	10.08	192	7.56	*	61142
600	23.62	450	17.72	512	20.16	288	11.34	224	8.82	*	*
650	25.59	488	19.21	544	21.42	288	11.34	256	10.08	*	*

Packing Unit: 20 pair per box

* on request