



**INNOVATIONS
IN KITCHEN
CABINET
STORAGE**





Striving for perfection and harmony

Perfection, as we understand it, does not serve only to demonstrate our technical abilities.

We believe we have approached perfection when your customer does not immediately notice our products specifically, but perhaps on a subconscious level appreciates the functional harmony they bring to the kitchen. At the same time utilizing the interior space most ergonomically.

Fulterer is proud to bring you this innovative and comprehensive line of kitchen cabinet products.



VAUTH-SAGEL
by *Fulterer*

542 Townsend Avenue
High Point, NC 27263
Phone 1 336 431 4646
1 800 395 4646
Fax 1 336 431 4620
info@fultererusa.com
www.fultererusa.com

1900 Proforma Avenue, Unit F-2
Ontario, CA 91761
Phone 1 909 947 0407
1 800 395 4646
Fax 1 909 947 0409



Printed in the U.S.A. 05/09



Table of Contents

HSA Pantry Pull-Out System 5-8
Tall Cabinet Pull-Out Storage



DUSA Tall Cabinet Swing & Slide-Out System 9-12
Tall Cabinet Swing & Slide-Out Storage



DSA Narrow Tall & Base Cabinet Pull-Out System 13-16
Tall & Narrow Base Cabinet & Slide-Out Storage



WARICORNER Blind Corner 17-18
Base Cabinet Swing & Slide-Out Storage



TWINCORNER Blind Corner 19-20
Base Cabinet Swing-Out Storage



SLIDECORNER Blind Corner 21-22
Base Cabinet Swing & Slide-Out Storage



PIE-CUT CORNER (hinged doors) 23-24
Corner Wall & Base Cabinet Storage



PIE-CUT CORNER (retracting doors) 25-26
Corner Base Cabinet Storage



Lazy-Susan Corner (hinged doors) 27-28
Diagonal Corner Wall & Base Cabinet Storage



Lazy-Susan Corner (retracting doors) 29-30
Diagonal Corner Base Cabinet Storage



BRS Wall Cabinet Pull-Out 31



Spice Racks 31



OSA Wall Cabinet Pull-Out 32



Ecoliner 33



Ironing Board 34



We make every effort to ensure the accuracy of the technical contents in this catalog. However discrepancies may exist. For the most current technical information, please contact us. We reserve the right to change technical specifications without notice.



HSA

Pantry Cabinet Pull-Out System

Featuring a Full-extension slide with E-Z-Close Dampening System
250 lbs. capacity

SPECIFICATION DETAILS:

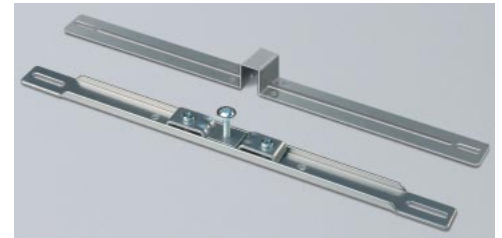
- ▶ Tool-less assembly of the frame on to the slide
- ▶ Variable frame heights from 650mm (37.40 in.) to 2150mm (84.65 in.)
- ▶ Three dimensional door front adjustment
- ▶ Adjustable basket assembly



▶ Saphir, chrome plated basket



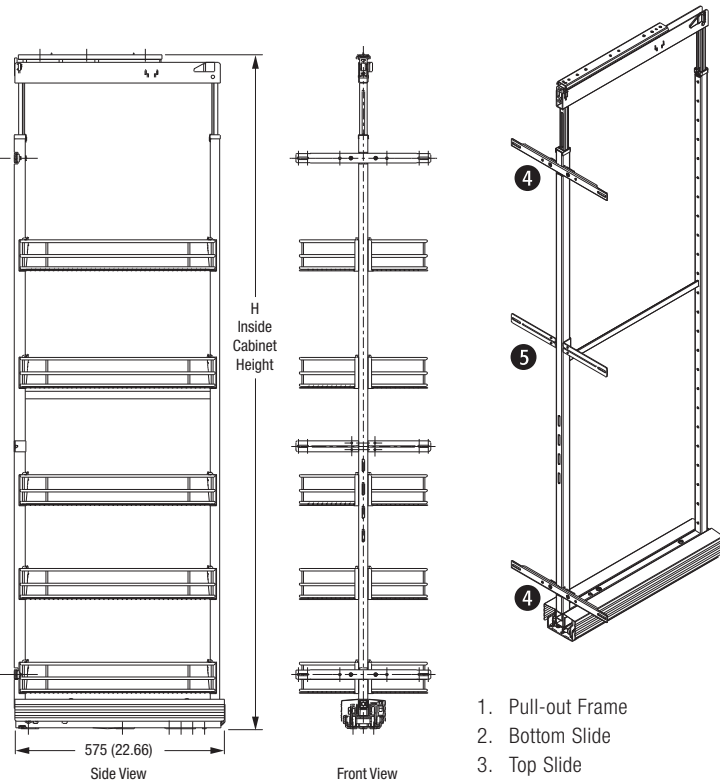
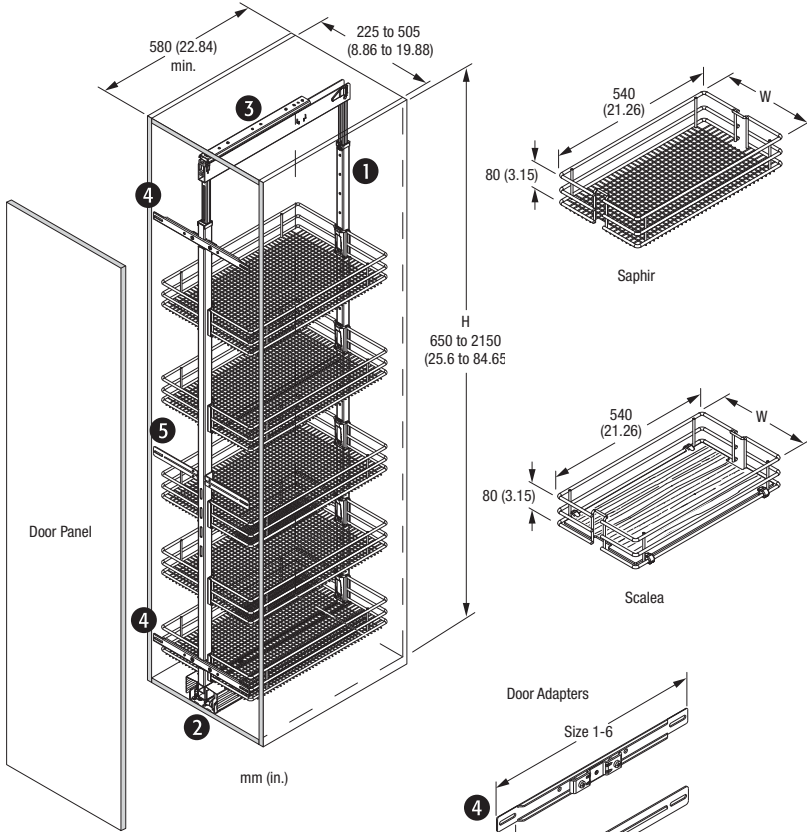
▶ Scalea, maple bottom, silver powder coated basket



▶ Door front adapter



Saphir features a basket with wire mesh bottom.
Scalea features a basket with maple laminate bottom.



Pantry pull-out frame including top and bottom slide with cover and EZ Close dampening system.
Color: Silver powder coated, non-handed

Description	Inside Cabinet Height: H		Recommended to max.:		Number of Baskets	Order No.	MSRP
	mm	inch	mm	inch			
HSA 1	650	25.6	950	37.4	2	90002514	
HSA 2	950	37.4	1200	47.24	3	90002172	
HSA 3	1200	47.24	1450	57.09	4	90002173	
HSA 4	1450	57.09	1700	66.93	4	90002174	
HSA 5	1700	66.93	1950	76.77	5	90002175	
HSA 6	1900	74.80	2150	84.65	5	90002176	

Packing Unit: 2 per set

Size	4 Standard Door Adapter		5 Intermediate Door Adapter		MSRP
	mm	inch	Packing 2 pcs. Order No.	Packing 1 pc. Order No.	
1	216	8.50	90002177	90002183	
2	292	11.50	90002178	90002214	
3	368	14.49	90002179	90002215	
4	444	17.48	90002180	90002216	
5	520	20.47	90002181	90002217	
6	545	21.46	90002182	90002218	

* Recommended for HSA 4, 5, and 6

Basket Sets					
Color: Saphir, chrome					
Min. Inside Cabinet Width	Actual Basket Width: W		Set Packing *	Order No.	MSRP
mm	inch	mm	inch		
225	8.86	210	8.25	2	90002152
225	8.86	210	8.25	3	90002153
295	11.61	280	11.02	2	90002154
295	11.61	280	11.02	3	90002155
365	14.37	350	13.78	2	90002156
365	14.37	350	13.78	3	90002157
435	17.13	420	16.54	2	90002158
435	17.13	420	16.54	3	90002159
505	19.88	490	19.29	2	90002160
505	19.88	490	19.29	3	90002161

* Packing Unit: Determined by total number of baskets used per frame

Basket Sets					
Color: Scalea, maple/silver powder coated wire border					
Min. Inside Cabinet Width	Actual Basket Width: W		Set Packing *	Order No.	MSRP
mm	inch	mm	inch		
225	8.86	210	8.25	2	90002162
225	8.86	210	8.25	3	90002163
295	11.61	280	11.02	2	90002164
295	11.61	280	11.02	3	90002165
365	14.37	350	13.78	2	90002166
365	14.37	350	13.78	3	90002167
435	17.13	420	16.54	2	90002168
435	17.13	420	16.54	3	90002169
505	19.88	490	19.29	2	90002170
505	19.88	490	19.29	3	90002171

* Packing Unit: Determined by total number of baskets used per frame

Complete Sets in Saphir (Chrome Plated) or Scalea (Sliver Powder Coated with Maple Laminate Basket Bottoms)

Complete sets include pantry pull-out frame, top and bottom slide, baskets, door adapters and instructions.

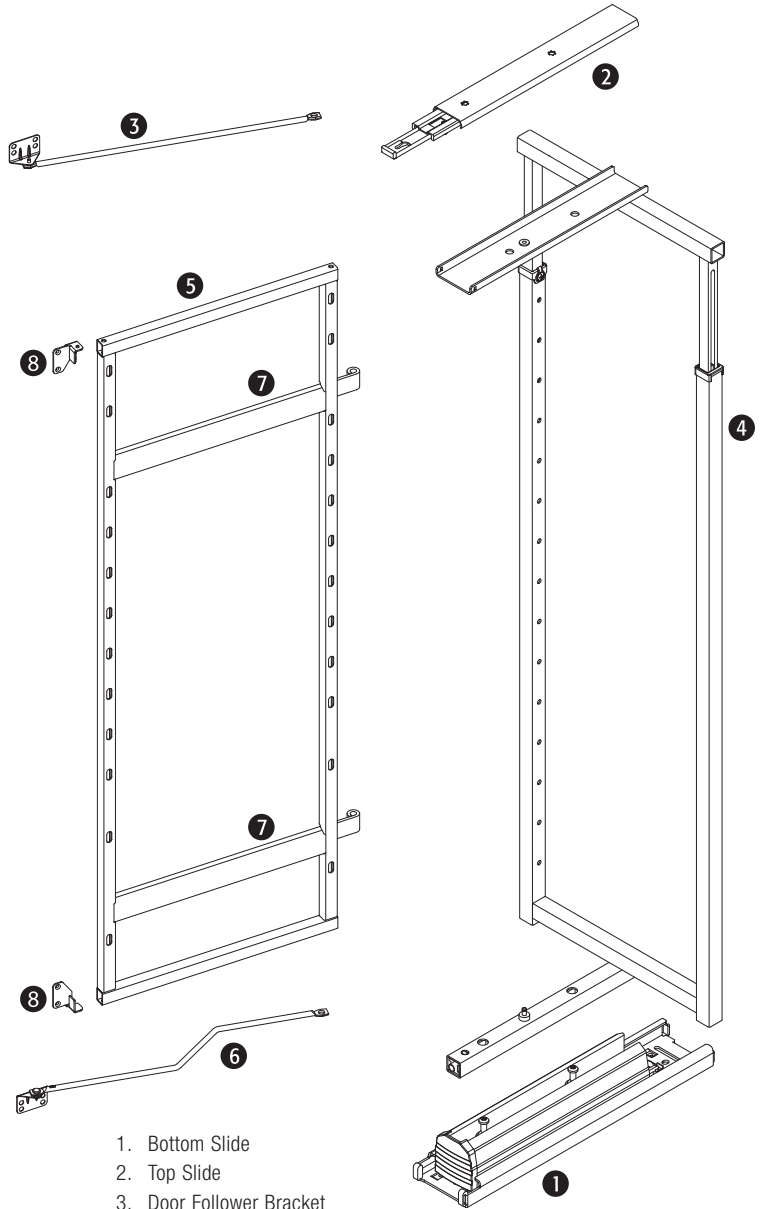
HSA	Order No.	Inside Cabinet Height		Basket Width		Style	Number of Baskets	Consisting of: (quantity x order no. 9000 _____) see previous page	MSRP
		mm	in	mm	in				
1-08	*								
2-08	9000 2172210	950-1200	37.40-47.24	210	8.27	Saphir/Chrome	3	1 x 2172, 1 x 2153, 1 x 2177	
3-08	9000 2173210	1200-1450	47.24-57.09	210	8.27	Saphir/Chrome	4	1 x 2173, 2 x 2152, 1 x 2177	
4-08	9000 2174210	1450-1700	57.09-66.93	210	8.27	Saphir/Chrome	4	1 x 2174, 2 x 2152, 1 x 2177, 1 x 2183	
5-08	9000 2175210	1700-1950	66.93-76.77	210	8.27	Saphir/Chrome	5	1 x 2175, 1 x 2152, 1 x 2153, 1 x 2177, 1 x 2183	
6-08	9000 2176210	1900-2150	74.80-84.65	210	8.27	Saphir/Chrome	5	1 x 2176, 1 x 2152, 1 x 2153, 1 x 2177, 1 x 2183	
1-11	*								
2-11	9000 2172280	950-1200	37.40-47.24	280	11.02	Saphir/Chrome	3	1 x 2172, 1 x 2155, 1 x 2178	
3-11	9000 2173280	1200-1450	47.24-57.09	280	11.02	Saphir/Chrome	4	1 x 2173, 2 x 2154, 1 x 2178	
4-11	9000 2174280	1450-1700	57.09-66.93	280	11.02	Saphir/Chrome	4	1 x 2174, 2 x 2154, 1 x 2178, 1 x 2214	
5-11	9000 2175280	1700-1950	66.93-76.77	280	11.02	Saphir/Chrome	5	1 x 2175, 1 x 2154, 1 x 2155, 1 x 2178, 1 x 2214	
6-11	9000 2176280	1900-2150	74.80-84.65	280	11.02	Saphir/Chrome	5	1 x 2176, 1 x 2154, 1 x 2155, 1 x 2178, 1 x 2214	
1-14	*								
2-14	9000 2172350	950-1200	37.40-47.24	350	13.78	Saphir/Chrome	3	1 x 2172, 1 x 2157, 1 x 2179	
3-14	9000 2173350	1200-1450	47.24-57.09	350	13.78	Saphir/Chrome	4	1 x 2173, 2 x 2156, 1 x 2179	
4-14	9000 2174350	1450-1700	57.09-66.93	350	13.78	Saphir/Chrome	4	1 x 2174, 2 x 2156, 1 x 2179, 1 x 2215	
5-14	9000 2175350	1700-1950	66.93-76.77	350	13.78	Saphir/Chrome	5	1 x 2175, 1 x 2154, 1 x 2157, 1 x 2179, 1 x 2215	
6-14	9000 2176350	1900-2150	74.80-84.65	350	13.78	Saphir/Chrome	5	1 x 2176, 1 x 2156, 1 x 2157, 1 x 2179, 1 x 2215	
1-17	*								
2-17	9000 2172420	950-1200	37.40-47.24	420	16.54	Saphir/Chrome	3	1 x 2172, 1 x 2159, 1 x 2180	
3-17	9000 2173420	1200-1450	47.24-57.09	420	16.54	Saphir/Chrome	4	1 x 2173, 2 x 2158, 1 x 2180	
4-17	9000 2174420	1450-1700	57.09-66.93	420	16.54	Saphir/Chrome	4	1 x 2174, 2 x 2158, 1 x 2180, 1 x 2216	
5-17	9000 2175420	1700-1950	66.93-76.77	420	16.54	Saphir/Chrome	5	1 x 2175, 1 x 2158, 1 x 2159, 1 x 2180, 1 x 2216	
6-17	9000 2176420	1900-2150	74.80-84.65	420	16.54	Saphir/Chrome	5	1 x 2176, 1 x 2158, 1 x 2159, 1 x 2180, 1 x 2216	
1-19	*								
2-19	9000 2172490	950-1200	37.40-47.24	490	19.29	Saphir/Chrome	3	1 x 2172, 1 x 2161, 1 x 2181	
3-19	9000 2173490	1200-1450	47.24-57.09	490	19.29	Saphir/Chrome	4	1 x 2173, 2 x 2160, 1 x 2181	
4-19	9000 2174490	1450-1700	57.09-66.93	490	19.29	Saphir/Chrome	4	1 x 2174, 2 x 2160, 1 x 2181, 1 x 2217	
5-19	9000 2175490	1700-1950	66.93-76.77	490	19.29	Saphir/Chrome	5	1 x 2175, 1 x 2160, 1 x 2161, 1 x 2181, 1 x 2217	
6-19	9000 2176490	1900-2150	74.80-84.65	490	19.29	Saphir/Chrome	5	1 x 2176, 1 x 2160, 1 x 2161, 1 x 2181, 1 x 2217	
1-08	*								
2-08	9000 2172210S	950-1200	37.40-47.24	210	8.27	Scalea/Sliver	3	1 x 2172, 1 x 2163, 1 x 2177	
3-08	9000 2173210S	1200-1450	47.24-57.09	210	8.27	Scalea/Sliver	4	1 x 2173, 2 x 2162, 1 x 2177	
4-08	9000 2174210S	1450-1700	57.09-66.93	210	8.27	Scalea/Sliver	4	1 x 2174, 2 x 2162, 1 x 2177, 1 x 2183	
5-08	9000 2175210S	1700-1950	66.93-76.77	210	8.27	Scalea/Sliver	5	1 x 2175, 1 x 2162, 1 x 2163, 1 x 2177, 1 x 2183	
6-08	9000 2176210S	1900-2150	74.80-84.65	210	8.27	Scalea/Sliver	5	1 x 2176, 1 x 2162, 1 x 2163, 1 x 2177, 1 x 2183	
1-11	*								
2-11	9000 2172280S	950-1200	37.40-47.24	280	11.02	Scalea/Sliver	3	1 x 2172, 1 x 2165, 1 x 2178	
3-11	9000 2173280S	1200-1450	47.24-57.09	280	11.02	Scalea/Sliver	4	1 x 2173, 2 x 2164, 1 x 2178	
4-11	9000 2174280S	1450-1700	57.09-66.93	280	11.02	Scalea/Sliver	4	1 x 2174, 2 x 2164, 1 x 2178, 1 x 2214	
5-11	9000 2175280S	1700-1950	66.93-76.77	280	11.02	Scalea/Sliver	5	1 x 2175, 1 x 2164, 1 x 2165, 1 x 2178, 1 x 2214	
6-11	9000 2176280S	1900-2150	74.80-84.65	280	11.02	Scalea/Sliver	5	1 x 2176, 1 x 2164, 1 x 2165, 1 x 2178, 1 x 2214	
1-14	*								
2-14	9000 2172350S	950-1200	37.40-47.24	350	13.78	Scalea/Sliver	3	1 x 2172, 1 x 2167, 1 x 2179	
3-14	9000 2173350S	1200-1450	47.24-57.09	350	13.78	Scalea/Sliver	4	1 x 2173, 2 x 2166, 1 x 2179	
4-14	9000 2174350S	1450-1700	57.09-66.93	350	13.78	Scalea/Sliver	4	1 x 2174, 2 x 2166, 1 x 2179, 1 x 2215	
5-14	9000 2175350S	1700-1950	66.93-76.77	350	13.78	Scalea/Sliver	5	1 x 2175, 1 x 2166, 1 x 2167, 1 x 2179, 1 x 2215	
6-14	9000 2176350S	1900-2150	74.80-84.65	350	13.78	Scalea/Sliver	5	1 x 2176, 1 x 2166, 1 x 2167, 1 x 2179, 1 x 2215	
1-17	*								
2-17	9000 2172420S	950-1200	37.40-47.24	420	16.54	Scalea/Sliver	3	1 x 2172, 1 x 2169, 1 x 2180	
3-17	9000 2173420S	1200-1450	47.24-57.09	420	16.54	Scalea/Sliver	4	1 x 2173, 2 x 2168, 1 x 2180	
4-17	9000 2174420S	1450-1700	57.09-66.93	420	16.54	Scalea/Sliver	4	1 x 2174, 2 x 2168, 1 x 2180, 1 x 2216	
5-17	9000 2175420S	1700-1950	66.93-76.77	420	16.54	Scalea/Sliver	5	1 x 2175, 1 x 2168, 1 x 2169, 1 x 2180, 1 x 2216	
6-17	9000 2176420S	1900-2150	74.80-84.65	420	16.54	Scalea/Sliver	5	1 x 2176, 1 x 2168, 1 x 2169, 1 x 2180, 1 x 2216	
1-19	*								
2-19	9000 2172490S	950-1200	37.40-47.24	490	19.29	Scalea/Sliver	3	1 x 2172, 1 x 2171, 1 x 2181	
3-19	9000 2173490S	1200-1450	47.24-57.09	490	19.29	Scalea/Sliver	4	1 x 2173, 2 x 2170, 1 x 2181	
4-19	9000 2174490S	1450-1700	57.09-66.93	490	19.29	Scalea/Sliver	4	1 x 2174, 2 x 2170, 1 x 2181, 1 x 2217	
5-19	9000 2175490S	1700-1950	66.93-76.77	490	19.29	Scalea/Sliver	5	1 x 2175, 1 x 2170, 1 x 2171, 1 x 2181, 1 x 2217	
6-19	9000 2176490S	1900-2150	74.80-84.65	490	19.29	Scalea/Sliver	5	1 x 2176, 1 x 2170, 1 x 2171, 1 x 2181, 1 x 2217	

*on request

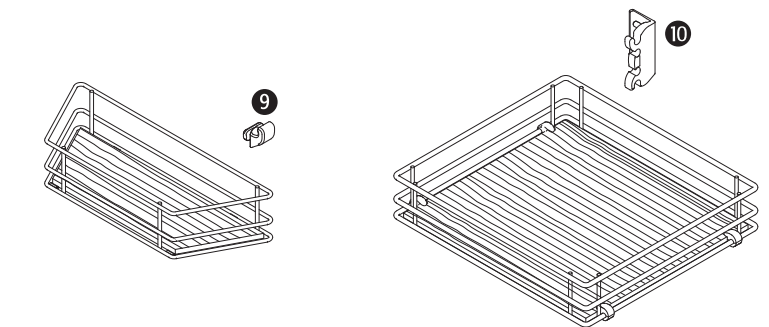


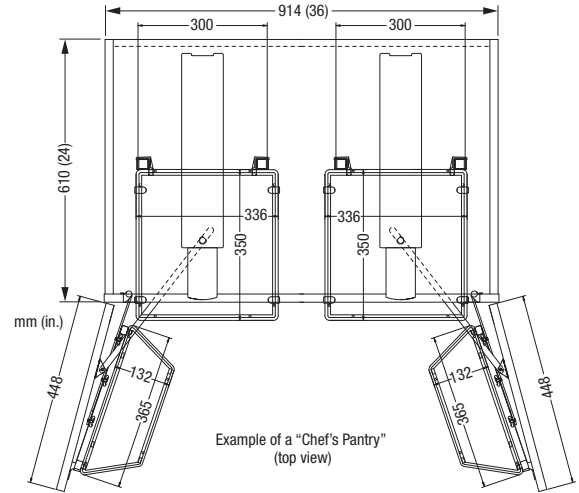
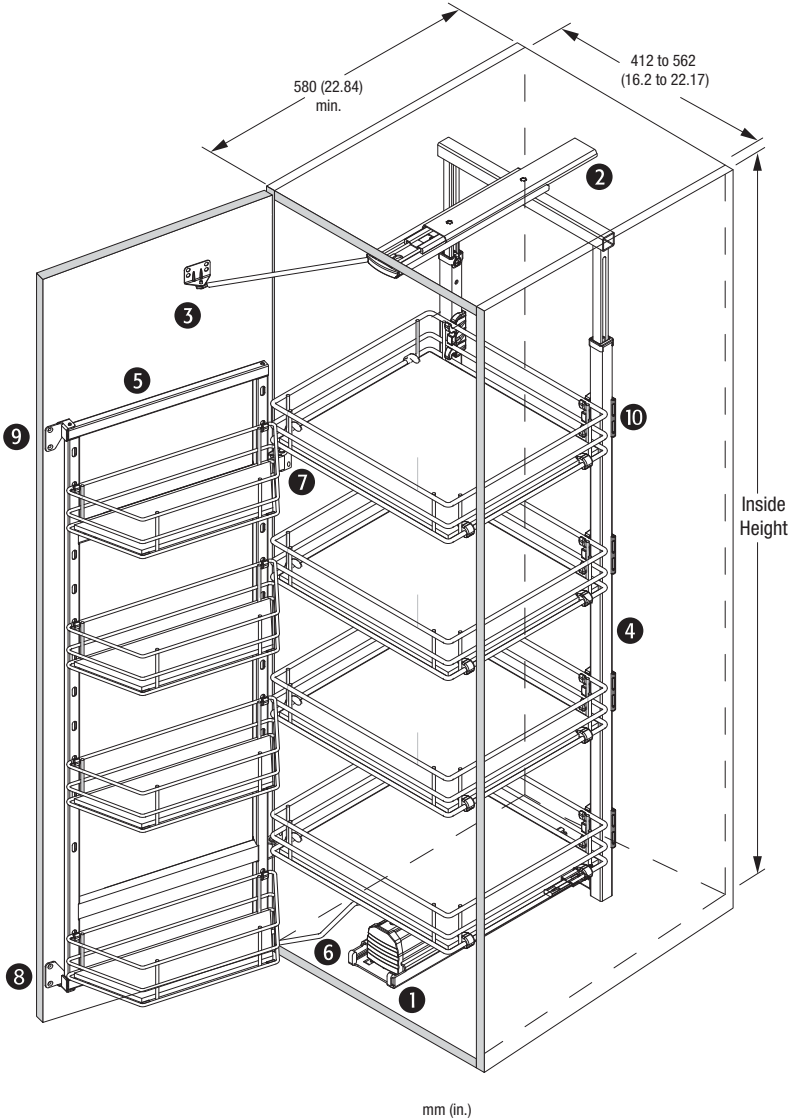
SPECIFICATION DETAILS:

- ▶ Efficient storage combined with easy access
- ▶ Two hinged support arms assist in carrying the weight of the door
- ▶ Covers a large variety of cabinet heights and widths

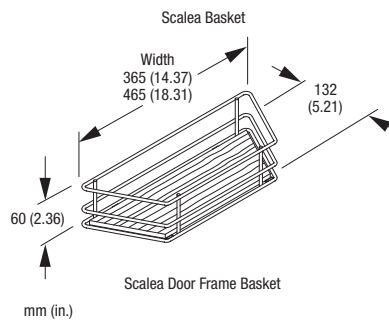
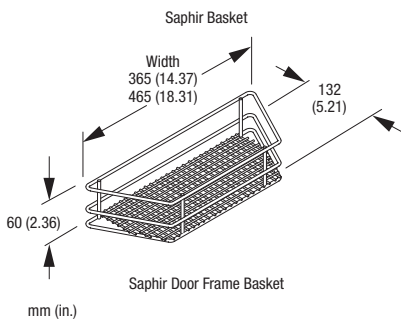
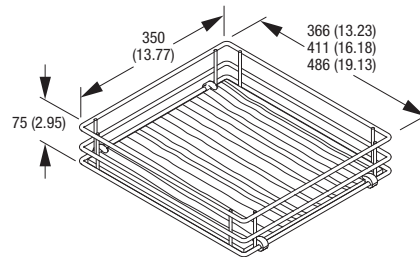
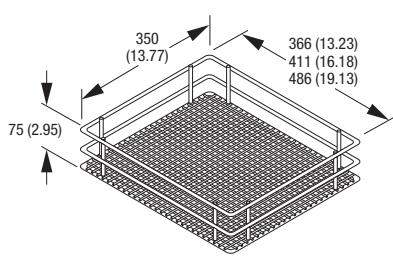


1. Bottom Slide
2. Top Slide
3. Door Follower Bracket
4. Support Frame
5. Door Frame
6. Door Follower Guide Arm
7. Door Support Arm Bracket
8. Door Frame Holder





1. Bottom Slide
2. Top Slide
3. Door Follower Bracket
4. Support Frame
5. Door Frame
6. Door Follower Guide Arm
7. Door Support Arm Bracket
8. Door Frame Holder
9. Basket Clip Door Frame
10. Basket Clip Support Frame

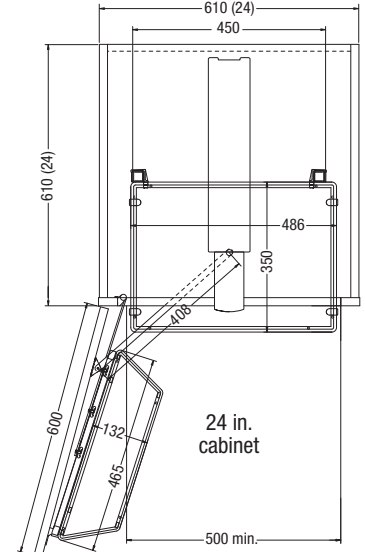
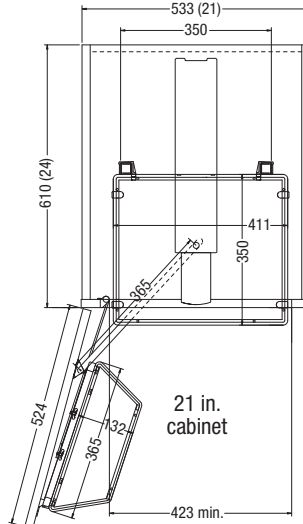
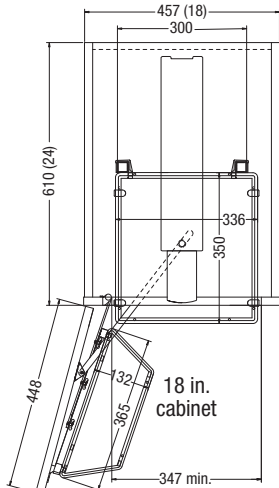


Complete Sets in Saphir (Chrome Plated) or Scalea (Sliver Powder Coated with Maple Laminate Basket Bottoms)

Complete sets include support frame, top and bottom slide, slide-out baskets, door frame baskets, door brackets and instructions.

Description	Basket Design	For Cabinet Width		Cabinet Inside Height from:		Cabinet Inside Height to:		Door Frame Basket Width		Number of Door Frame Baskets	Support Frame Basket Width		Number of Support Frame Baskets	Order No.	MSRP
		mm	inch	mm	inch	mm	inch	mm	inch		mm	inch			
DUSA 3	Saphir	457	18	1200	47.24	1450	57.09	365	14.37	4	336	13.23	4	90003341	
DUSA 3	Scalea	457	18	1200	47.24	1450	57.09	365	14.37	4	336	13.23	4	90002884	
DUSA 4	Saphir	457	18	1450	57.09	1700	66.93	365	14.37	4	336	13.23	4	90003345	
DUSA 4	Scalea	457	18	1450	57.09	1700	66.93	365	14.37	4	336	13.23	4	90003348	
DUSA 5	Saphir	457	18	1700	66.93	1950	76.77	365	14.37	5	336	13.23	5	90003351	
DUSA 5	Scalea	457	18	1700	66.93	1950	76.77	365	14.37	5	336	13.23	5	90003354	
DUSA 6	Saphir	457	18	1900	74.80	2150	84.65	365	14.37	5	336	13.23	5	90003357	
DUSA 6	Scalea	457	18	1900	74.80	2150	84.65	365	14.37	5	336	13.23	5	90003360	
DUSA 7	Saphir	457	18	2150	84.65	2350	92.52	365	14.37	7	336	13.23	7	90003363	
DUSA 7	Scalea	457	18	2150	84.65	2350	92.52	365	14.37	7	336	13.23	7	90003366	
DUSA 3	Saphir	533	21	1200	47.24	1450	57.09	365	14.37	4	411	16.18	4	90003342	
DUSA 3	Scalea	533	21	1200	47.24	1450	57.09	365	14.37	4	411	16.18	4	90002885	
DUSA 4	Saphir	533	21	1450	57.09	1700	66.93	365	14.37	4	411	16.18	4	90003346	
DUSA 4	Scalea	533	21	1450	57.09	1700	66.93	365	14.37	4	411	16.18	4	90003349	
DUSA 5	Saphir	533	21	1700	66.93	1950	76.77	365	14.37	5	411	16.18	5	90003352	
DUSA 5	Scalea	533	21	1700	66.93	1950	76.77	365	14.37	5	411	16.18	5	90003355	
DUSA 6	Saphir	533	21	1900	74.80	2150	84.65	365	14.37	5	411	16.18	5	90003358	
DUSA 6	Scalea	533	21	1900	74.80	2150	84.65	365	14.37	5	411	16.18	5	90003361	
DUSA 7	Saphir	533	21	2150	84.65	2350	92.52	365	14.37	7	411	16.18	7	90003364	
DUSA 7	Scalea	533	21	2150	84.65	2350	92.52	365	14.37	7	411	16.18	7	90003367	
DUSA 3	Saphir	610	24	1200	47.24	1450	57.09	465	18.31	4	486	19.13	4	90003343	
DUSA 3	Scalea	610	24	1200	47.24	1450	57.09	465	18.31	4	486	19.13	4	90003344	
DUSA 4	Saphir	610	24	1450	57.09	1700	66.93	465	18.31	4	486	19.13	4	90003347	
DUSA 4	Scalea	610	24	1450	57.09	1700	66.93	465	18.31	4	486	19.13	4	90003350	
DUSA 5	Saphir	610	24	1700	66.93	1950	76.77	465	18.31	5	486	19.13	5	90003353	
DUSA 5	Scalea	610	24	1700	66.93	1950	76.77	465	18.31	5	486	19.13	5	90003356	
DUSA 6	Saphir	610	24	1900	74.80	2150	84.65	465	18.31	5	486	19.13	5	90003359	
DUSA 6	Scalea	610	24	1900	74.80	2150	84.65	465	18.31	5	486	19.13	5	90003362	
DUSA 7	Saphir	610	24	2150	84.65	2350	92.52	465	18.31	7	486	19.13	7	90003365	
DUSA 7	Scalea	610	24	2150	84.65	2350	92.52	465	18.31	7	486	19.13	7	90003368	

Packing Unit: per set, with mounting instructions



DSA



DSA

Narrow Tall Cabinet & Base Cabinet Pull-Out System

Featuring very flexible application with E-Z-Close Dampening System
150 lbs. capacity

SPECIFICATION DETAILS:

- ▶ Ideally suited for narrow cabinets
- ▶ Very flexible design possibilities
- ▶ For straight 90° door fronts and angled door fronts 45°
- ▶ Door front brackets are 3-way adjustable
- ▶ Available in Saphir and Scalea basket design



▶ DSA-8 Scalea with 45° front



▶ DSA-2 with 90° front



▶ DSA-2 with 45° front



▶ Towel Holder (left shown)



▶ Baking Sheet Holder



▶ DSA Saphir 90°



▶ DSA Scalea 90°



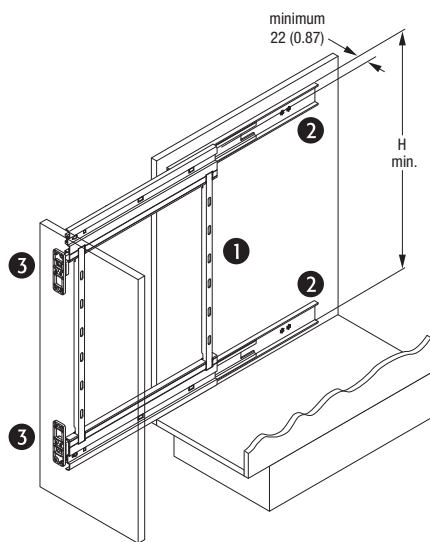
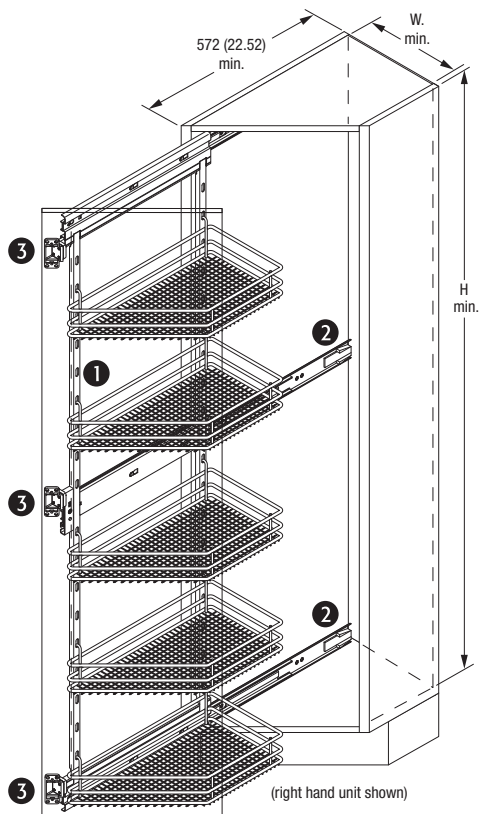
▶ DSA Saphir 45°
(right shown)



▶ DSA Scalea 45°
(right shown)

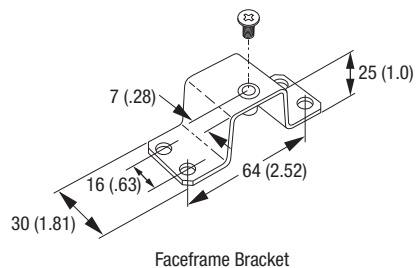
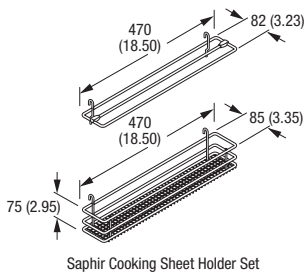
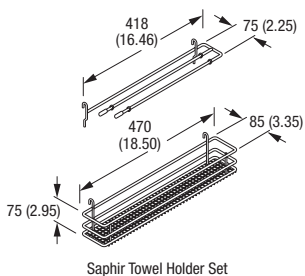
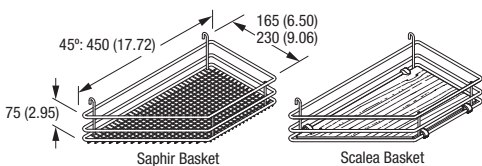
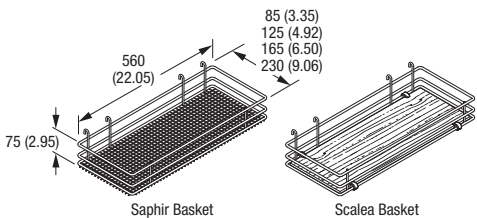
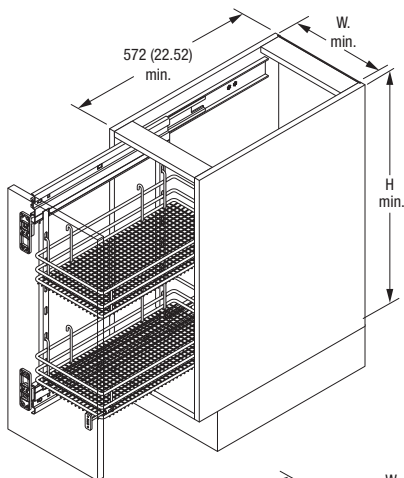
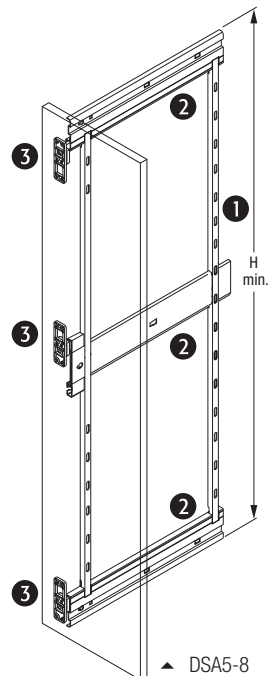


▶ DSA Face Frame Bracket



- 1. Frame
- 2. Slides
- 3. Door Front Bracket

▲ DSA1-4



Choose all components individually. (For face frame applications use face frame brackets shown at the bottom of this page*)

Pull-out frame with slides and EZ Close damping system.
Silver powder coated, non-handed

Description	Inside Cabinet Height min.: H		Actual Frame Height		Number of Slides	For Number of Baskets	Order No.	MSRP
	mm	inch	mm	inch				
DSA 1	485	19.10	475	18.70	2	2	90002999	
DSA 2	581	22.90	571	22.48	2	2	90003000	
DSA 3	645	25.40	635	25.00	2	2	90003001	
DSA 3a	677	26.65	667	26.26	2	3	90003259	
DSA 4	741	29.20	731	28.78	2	3	90003002	
DSA 4a	901	35.50	891	35.10	2	3	90003260	
DSA 5	1221	48.10	1211	47.68	3	4	90003003	
DSA 6	1413	55.63	1403	55.24	3	4	90003004	
DSA 7	1605	63.20	1595	62.80	3	5	90003005	
DSA 8	1829	72.01	1819	71.61	3	6	90003006	

Packing Unit: per set with mounting instructions

Basket Sets 90°, including door front brackets

Size	Min. inside Width: W		Saphir 2 per box		Saphir 3 per box		Scalea 2 per box		Scalea 3 per box	
	mm	inch	mm	inch	Order No.	MSRP	Order No.	MSRP	Order No.	MSRP
85	3.35	112	4.41		90002569		90002570		90002585	90002586
125	4.92	152	5.98		90002571		90002572		90002587	90002588
165	6.50	192	7.56		90002573		90002574		90002589	90002590
230	9.06	257	10.12		90002575		90002576		90002591	90002592

Basket Sets 45°, including door front brackets

Size	Min. inside Width: W		Saphir Left/Right 2 per box		Saphir Left/Right 3 per box		Scalea Left/Right 2 per box		Scalea Left/Right 3 per box	
	mm	inch	mm	inch	Order No.	MSRP	Order No.	MSRP	Order No.	MSRP
165	6.50	192	7.56		90002577/90002579		90002578/90002580		90002887/90002889	90002888/90002890
230	9.06	257	10.12		90001577/90001583		90001578/90001584		90002597/90002599	90002598/90002600

Towel Holder Set, including one 85mm Basket and door front brackets

Min. inside Width: W	Saphir, Chrome Left/Right 1 set per box		Saphir, Silver Left/Right 1 set per box			
	mm	inch	Order No.	MSRP	Order No.	MSRP
112	4.41		90001996/90001997		90001999/90002000	

Cooking Sheet Holder Set, including one 85mm Basket and door front brackets

Min. inside Width: W	Saphir, Chrome non-handed 1 set per box		Saphir, Silver non-handed 1 set per box			
	mm	inch	Order No.	MSRP	Order No.	MSRP
112	4.41		90001998		90002001	

Face Frame Bracket, includes two M5 screws

Silver Powder coated per set (2 pcs.)*
Order No. MSRP

* DSA frame 1-4a requires a minimum of 2 sets (4 pcs.)
DSA frame 5-8 requires a minimum of 3 sets (6 pcs.)

Included with Frame and Slide

WARI CORNER



WARI CORNER

Base Cabinet & Blind Corner Swing-Out and Slide System

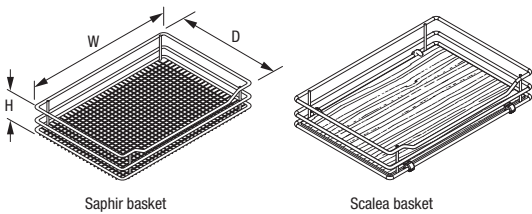
Featuring the highest degree of accessibility with E-Z-Close Dampening System
75 lbs. capacity

SPECIFICATION DETAILS:

- ▶ The ultimate solution for blind corner accessibility
- ▶ Unique moving support mechanism
- ▶ Specify left or right hand use
- ▶ Available with Saphir or Scalea design baskets



(shown in photographs above is a right hand unit)



Saphir basket

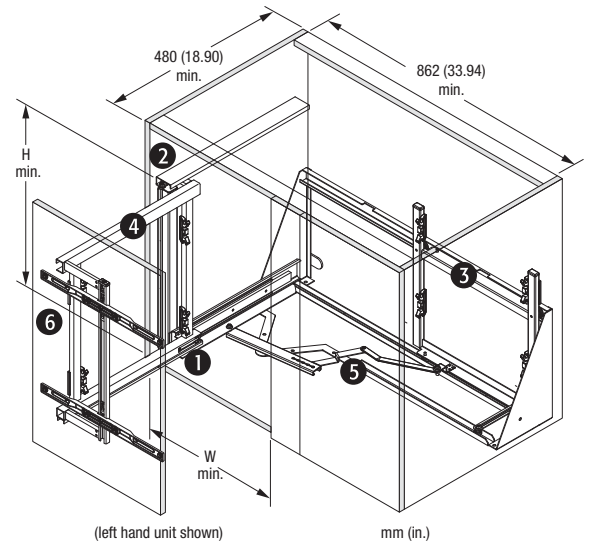
Scalea basket



Saphir features a basket with wire mesh bottom.

Scalea features a basket with maple laminate bottom.

1. Door Support Slide, bottom
2. Door Support Slide, top
3. Cabinet Slide Assembly
4. Door Support Frame
5. Scissor Hinge Assembly
6. Door Adapter



(left hand unit shown)

mm (in.)

Handed	Basket Design	Door Basket									Cabinet Basket					Order No.	MSRP	
		H min.	W min.	W	x	D	x	H	W	x	D	x	H					
		mm	inch	mm	inch	mm	inch	mm	inch	mm	inch	mm	inch	mm	inch			
Left	Saphir	520	20.47	410	16.14	450	17.72	305	12.0	75	2.95	430	16.93	370	14.57	75	2.95	90002331
Right	Saphir	520	20.47	410	16.14	450	17.72	305	12.0	75	2.95	430	16.93	370	14.57	75	2.95	90002330
Left	Scalea	520	20.47	410	16.14	450	17.72	305	12.0	75	2.95	430	16.93	370	14.57	75	2.95	90002516
Right	Scalea	520	20.47	410	16.14	450	17.72	305	12.0	75	2.95	430	16.93	370	14.57	75	2.95	90002515

Packing Unit: **1 set per box**; consisting of door and cabinet mechanism, 2 door baskets, 2 cabinet baskets, EZ-Close mechanism and mounting instructions.

TWINCORNER



TWINCORNER

Base Cabinet & Blind Corner Swing-Out System

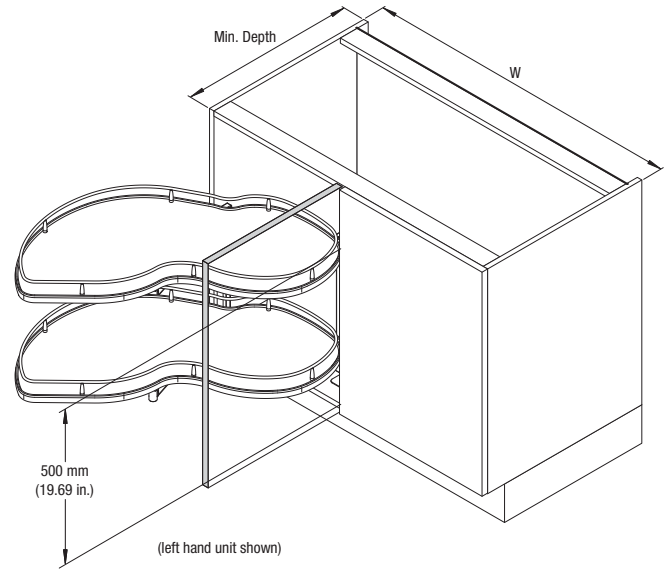
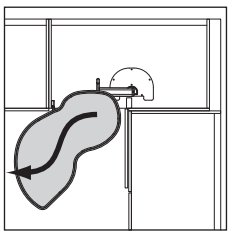
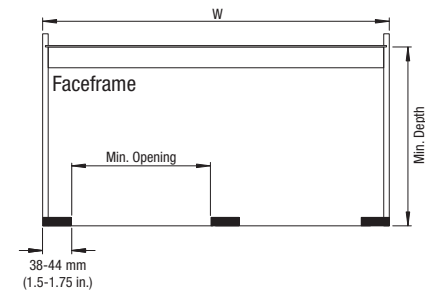
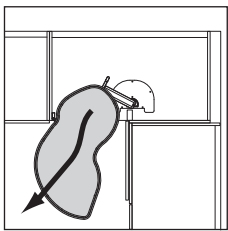
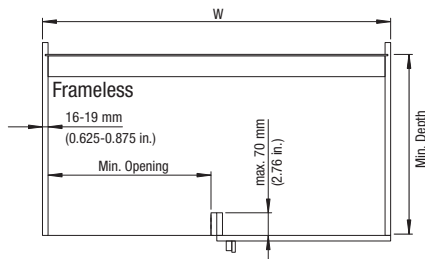
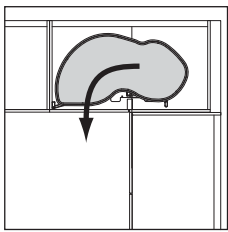
Most unique solution for blind corner cabinets
100 lbs. capacity

SPECIFICATION DETAILS:

- ▶ Both shelves turn and swing simultaneously out of the cabinet
- ▶ This unique motion puts all items to be retrieved right at your finger tips
- ▶ Three sizes are available
- ▶ Specify left or right hand use



(shown in photographs above is a right hand unit)



TWINCORNER		Color: Scalea maple/silver powder coated wire												
Handed	Width: W Frameless		Width: W Faceframe		Minimum Opening Frameless		Min. Depth Frameless		Minimum Opening Faceframe		Min. Depth Faceframe		Order No.	MSRP
	mm	inch	mm	inch	mm	inch	mm	inch	mm	inch	mm	inch		
Left	914	36.00	991	39.00	411	16.18	504	19.84	400	15.75	485	19.89	90002409	
Right	914	36.00	991	39.00	411	16.18	504	19.84	400	15.75	485	19.89	90002410	
Left	1067	42.00	1143	45.00	461	18.5	504	19.84	440	17.32	485	19.89	90002411	
Right	1067	42.00	1143	45.00	461	18.5	504	19.84	440	17.32	485	19.89	90002412	
Left	1219	48.00	1295	51.00	561	22.09	509	20.03	540	21.26	490	19.29	90002517	
Right	1219	48.00	1295	51.00	561	22.09	509	20.03	540	21.26	490	19.29	90002518	

Packing Unit: 1 set per box consisting of 2 shelves, twin mechanism and instructions

SLIDECORNER



SLIDECORNER

Base Cabinet & Blind Corner Swing-Out System

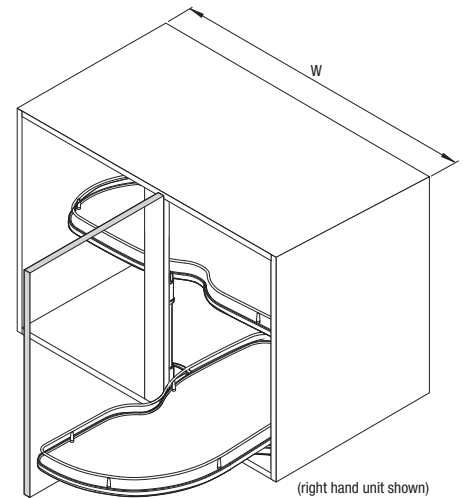
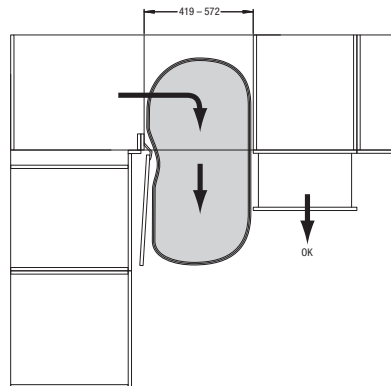
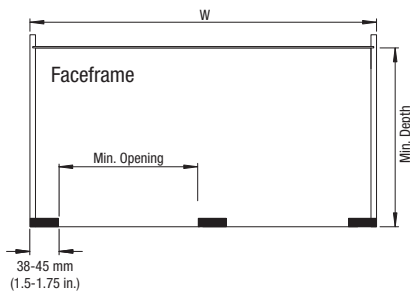
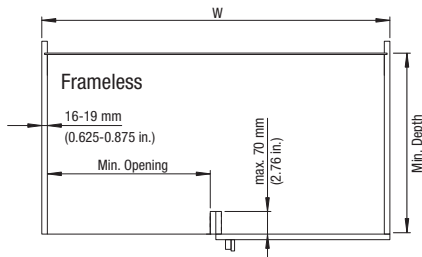
Most unique solution for blind corner cabinets
100 lbs. capacity

SPECIFICATION DETAILS:

- ▶ Both shelves turn and slide independently out of the cabinet
- ▶ This unique motion puts all items to be retrieved right at your finger tips
- ▶ Upper shelf can be placed at height 316mm (12.44 in.) up to 412mm (16.22 in.)
- ▶ Three sizes are available
- ▶ Specify left or right hand use



(shown in photographs above is a right hand unit)



SLIDECORNER		Color: Scalea maple/silver powder coated wire										
Handed	Width: W		Minimum Opening Frameless		Min. Depth Frameless		Minimum Opening Faceframe		Min. Depth Faceframe		Order No.	MSRP
	mm	inch	mm	inch	mm	inch	mm	inch	mm	inch		
Left	991	39.00	419	16.50	490	19.29	381	15.00	504	19.84	90003283	
Right	991	39.00	419	16.50	490	19.29	381	15.00	504	19.84	90003284	
Left	1067	42.00	495	19.50	550	21.65	457	18.00	569	22.40	90002991	
Right	1067	42.00	495	19.50	550	21.65	457	18.00	569	22.40	90002992	
Left	1143	45.00	572	22.50	550	21.65	533	21.00	569	22.40	90003281	
Right	1143	45.00	572	22.50	550	21.65	533	21.00	569	22.40	90003282	

Packing Unit: 1 set per box consisting of 2 shelves, slide mechanism and instructions

PIE-CUT CORNER



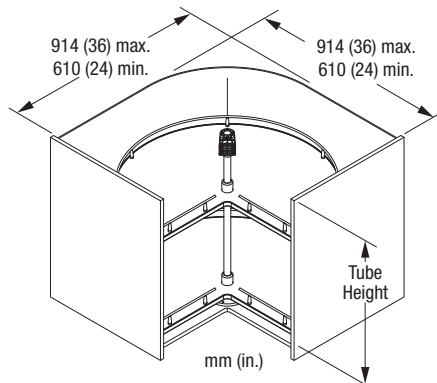
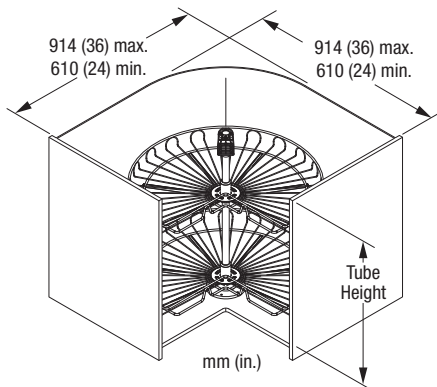
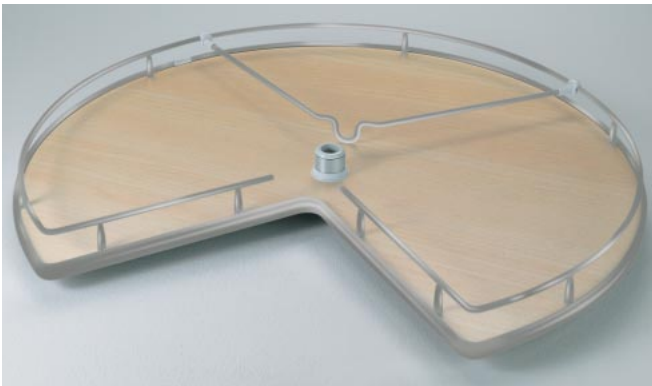
PIE-CUT CORNER

Base & Wall Cabinet Corner Applications

For hinged doors
150 lbs. capacity

SPECIFICATION DETAILS:

- ▶ Available as a wire basket or a wood shelf tray
- ▶ For base and wall cabinet use
- ▶ Extra length center tube available on request



Color*	Basket Diameter		Center Tube Height*		Order No.	MSRP	
	mm	inch	from: mm	to: mm			
chrome	460	18.11	680	26.77	760	29.99	90002528
chrome	720	28.35	680	26.77	760	29.99	90000835
chrome	820	32.28	680	26.77	760	29.99	90000837

Packing Unit: **1 set per box**; consisting of 1 center tube, 2 baskets, mounting instructions

Color*	Tray Diameter		Center Tube Height*		Order No.	MSRP	
	mm	inch	from: mm	to: mm			
maple	460	18.11	680	26.77	760	29.99	90002525
maple	720	28.35	680	26.77	760	29.99	90002526
maple	820	32.28	680	26.77	760	29.99	90002527

*wire border silver powder coated

Packing Unit: **1 set per box**; consisting of 1 center tube, 2 trays, mounting instructions

*Longer tube heights available on request

PIE-CUT CORNER



PIE-CUT CORNER

Base Cabinet Corner Applications

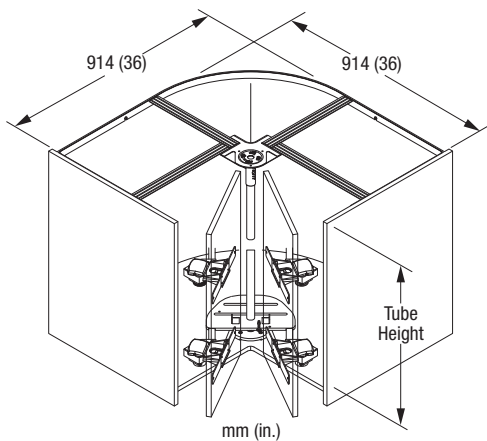
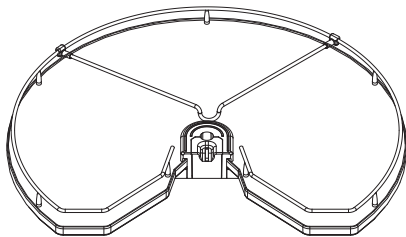
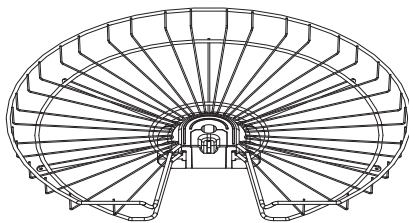
For two auto-retracting doors revolving thru the cabinet
150 lbs. capacity

SPECIFICATION DETAILS:

- ▶ Ingenious door retracting mechanism folds both doors inward
- ▶ Self-centering in closed position



▲ Top center pivot and back wall support bracket available on request



Auto-Retracting Door Mechanism

Color	Center Tube Height*		Order No.	MSRP	
	from:	to:			
silver powder coated	680 mm	26.77 inch	760 mm	29.92 inch	90000574

Packing Unit: **per set with instructions**

Color*	Basket Diameter		Order No.	MSRP
	mm	inch		
chrome	810 mm	31.89 inch	90000514	

Packing Unit: **1 set per box with 2 baskets**

Color*	Tray Diameter		Order No.	MSRP
	mm	inch		
maple	810 mm	31.89 inch	90002519	

*wire border silver powder coated

Packing Unit: **1 set per box with 2 trays**

*Longer tube heights available on request

LAZY-SUSAN CORNER



LAZY-SUSAN CORNER

Base & Wall Cabinet Diagonal Corner Applications

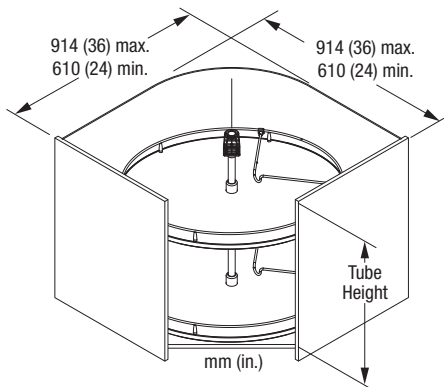
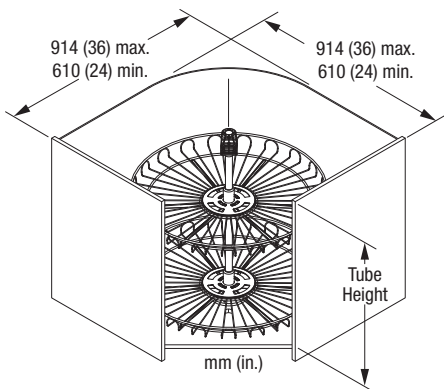
For diagonal cabinets with hinged door.
150 lbs. capacity

SPECIFICATION DETAILS:

- ▶ Available as a wire basket or a wood shelf tray
- ▶ For base and wall cabinet use
- ▶ Extra length center tube available on request



▲ Lazy-Susan Corner flat front version shown above.
500 mm tray for 24" x 24" diagonal wall cabinets.



Color*	Basket Diameter		Center Tube Height from:		Center Tube Height to:		Order No.	MSRP
	mm	inch	mm	inch	mm	inch		
chrome	460	18.11	680	26.77	760	29.99	90002051	
chrome	720	28.35	680	26.77	760	29.99	9000833	
chrome	820	32.28	680	26.77	760	29.99	9000829	

Packing Unit: **1 set per box**; consisting of 1 center tube, 2 baskets, mounting instructions

Color*	Tray Diameter		Center Tube Height from:		Center Tube Height to:		Order No.	MSRP
	mm	inch	mm	inch	mm	inch		
maple	460	18.11	680	26.77	760	29.99	90002520	
maple	**500	19.68	680	26.77	760	29.99	90003170	
maple	550	21.65	680	26.77	760	29.99	90003169	
maple	720	28.35	680	26.77	760	29.99	90002521	
maple	820	32.28	680	26.77	760	29.99	90002522	

*wire border silver powder coated

**this tray has a flat shaped front

Packing Unit: **1 set per box**; consisting of 1 center tube, 2 trays, mounting instructions

LAZY-SUSAN CORNER



LAZY-SUSAN CORNER

Base Cabinet Diagonal Corner Applications

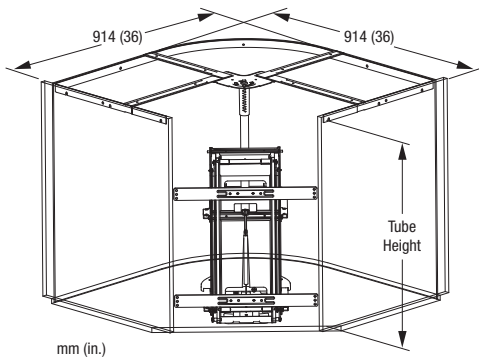
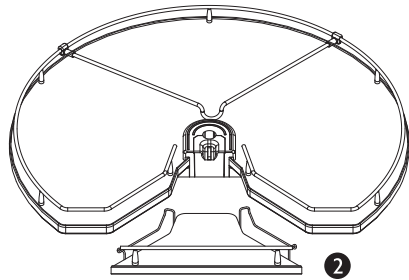
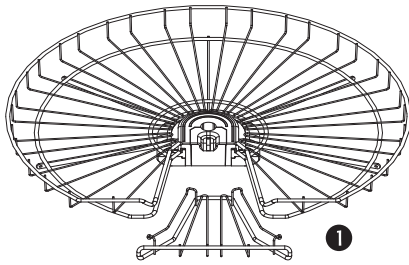
For a auto-retracting door revolving thru the cabinet
150 lbs. capacity

SPECIFICATION DETAILS:

- ▶ Ingenious door retracting mechanism pulls door inward
- ▶ Self-centering in closed position



▶ Top center pivot and back wall support bracket available on request



Auto-Retracting Door Mechanism	Center Tube Height from:		to:		Order No.	MSRP
	mm	inch	mm	inch		
Color						
silver powder coated	680	26.77	760	29.92	90000559	

Packing Unit: per set with instructions

Color*	Basket Diameter		Order No.	MSRP
	mm	inch		
chrome	810	31.89	90000514	

Packing Unit: 1 set per box with 2 baskets

1 Add-on Center Section Basket			
Color*	Order No.	MSRP	
chrome	90002524		

Packing Unit: 1 set per box (2)

Color*	Tray Diameter		Order No.	MSRP
	mm	inch		
maple	810	31.89	90002519	

Packing Unit: 1 set per box with 2 trays

2 Add-on Center Section Tray			
Color*	Order No.	MSRP	
maple	90002523		

*wire border silver powder coated
Packing Unit: 1 set per box (2)

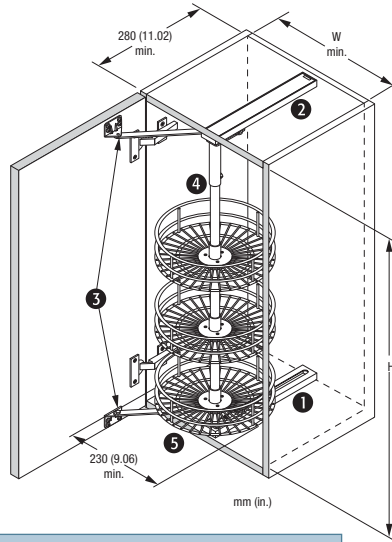
BRS Wall Cabinet Pull-Out

Brings wall cabinet contents closer to you.
The ideal spice carousel.
50 lbs. capacity

SPECIFICATION DETAILS:

- ▶ Available in a two or three carousel style basket version
- ▶ For left or right hand use

1. Bottom Slide
2. Top Slide
3. Top and Bottom Door Follower
4. Tube Holder
5. Baskets



Number of Baskets	Color**	Cabinet H min.		Cabinet H max.		Cabinet W min.		Order No.	MSRP
		mm	inch	mm	inch	mm	inch		
2	Chrome	490	19.29	540	21.26	268	10.55	90000716	
3	Chrome	600	23.62	650	25.59	268	10.55	90000127	
3	Chrome	750	29.53	800	31.50	268	10.55	90000655	
3	Chrome	800	31.60	850	33.47	268	10.55	90000143	
3	Chrome	850	33.47	900	35.43	268	10.55	90000129	

Packing Unit: **1 set per box** **silver powder coated available on request
*other heights available on request

SPICE RACKS

A convenience product for any cabinet

SPECIFICATION DETAILS:

- ▶ Available in chrome or silver powder coated



▲ Door adapter

Door adapter	Width mm inch	Color	Order No.	MSRP
	236 9.30	Chrome	91000810	
	336 13.23	Chrome	91000811	
	386 15.20	Chrome	91000812	
	436 19.13	Chrome	91000813	
	536 21.10	Chrome	91000814	

Packing Unit: **per piece**

Available Sizes						
Style	Width mm inch	Height mm inch	Depth mm inch	Color	Order No.	MSRP
Saphir	187 7.36	480 18.90	79 3.11	Chrome	91000179	
Saphir	362 14.26	480 18.90	79 3.11	Chrome	91000177	

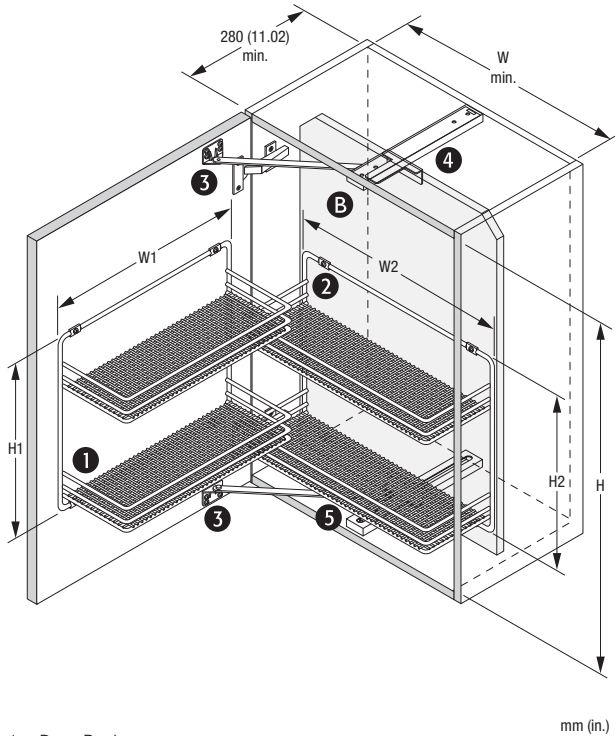
Packing Unit: **per piece**

OSA Wall Cabinet Pull-Out

Brings wall cabinet contents closer to you eliminating all those hard to reach places.
50 lbs. capacity

SPECIFICATION DETAILS:

- ▶ Available in a two or three tier rack version
- ▶ Saphir wire mesh bottom basket design only
- ▶ For left or right hand use
- ▶ Back wall must be fabricated to match



1. Door Rack
2. Back Wall Rack
3. Top and Bottom Door Follower
4. Top Slide
5. Bottom Slide
- B. Back wall (not supplied)

mm (in.)



▲ Saphir design

Basket Design	Number of Tiers	Color*	Cabinet H min.		Cabinet H max.		Cabinet W min.		Door Rack W1		Door Rack H1		Back Wall Rack W2		Back Wall Rack H2		Order No.	MSRP
			mm	inch	mm	inch	mm	inch	mm	inch	mm	inch	mm	inch	mm	inch		
Saphir	2	Chrome	500	19.85	700	27.56	268	10.55	209	8.23	350	13.78	234	9.21	350	13.78	90000122	
Saphir	2	Chrome	500	19.85	700	27.56	418	16.46	347	13.66	350	13.78	384	15.12	350	13.78	90000126	
Saphir	2	Chrome	500	19.85	700	27.56	468	18.43	397	15.63	350	13.78	434	17.09	350	13.78	90000130	
Saphir	2	Chrome	500	19.85	700	27.56	568	22.36	547	21.54	350	13.78	534	21.02	350	13.78	90000132	
Saphir	3	Chrome	700	27.56	900	35.43	268	10.55	209	8.23	610	24.02	234	9.21	610	24.02	90000121	
Saphir	3	Chrome	700	27.56	900	35.43	418	16.46	347	13.66	610	24.02	384	15.12	610	24.02	90000125	
Saphir	3	Chrome	700	27.56	900	35.43	468	18.43	397	15.63	610	24.02	434	17.09	610	24.02	90000131	
Saphir	3	Chrome	700	27.56	900	35.43	568	22.36	547	21.54	610	24.02	534	21.02	610	24.02	90000133	

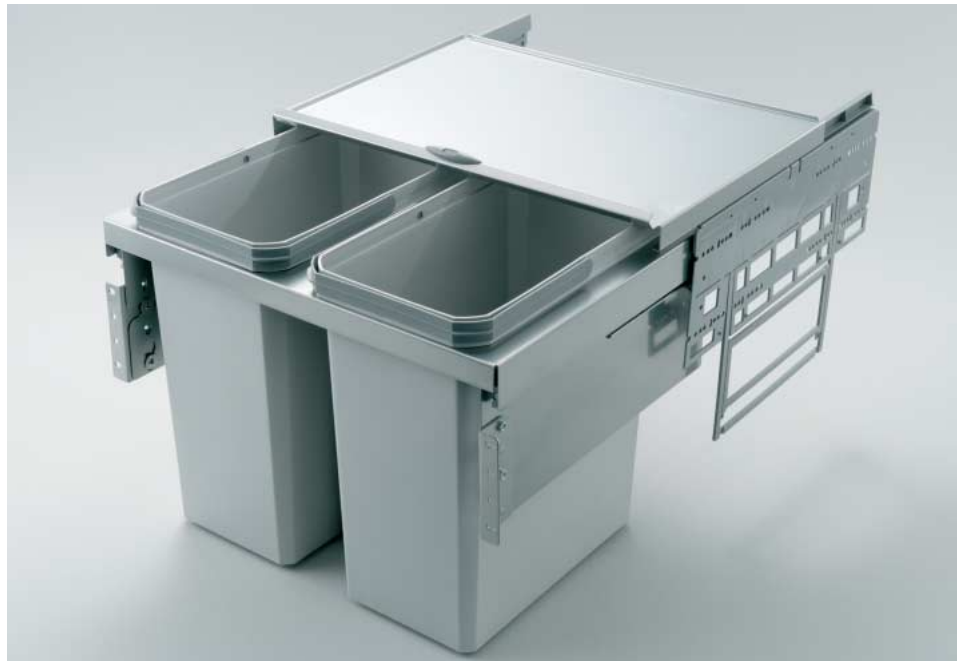
Packing Unit: 1 set per box *silver powder coated available on request

ECOLINER

The smart solution for waste disposal and recycling
125 lbs. capacity

SPECIFICATION DETAILS:

- ▶ The lid acts as a pull-out shelf for additional storage space for cleaning supplies.
- ▶ E-Z Close dampening system
- ▶ 3-way adjustable door mounting brackets
- ▶ A unique mounting template and instructions are included



Ecoliner Color: grey/silver powder coated frame
2 x 28L/30 qt. container volume

Min. Build-in
Width
mm inch

562 22.13

Min. Build-in
Depth
mm inch

464 18.27

Min. Build-in
Height
mm inch

490 19.29

Order No. MSRP

47001119

Packing Unit: 1 set (as shown) per box, includes mounting template and instructions

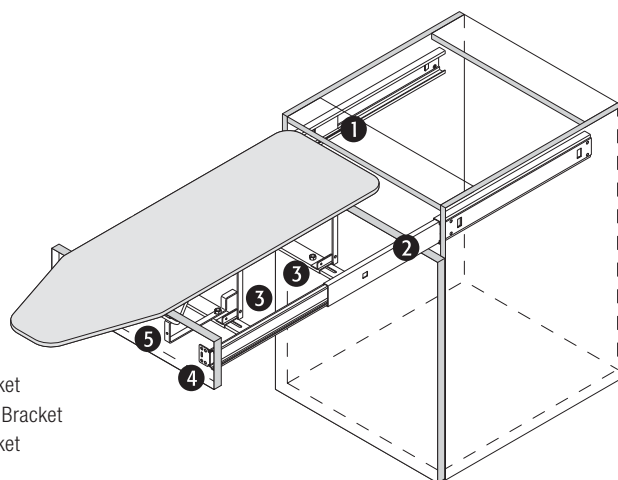
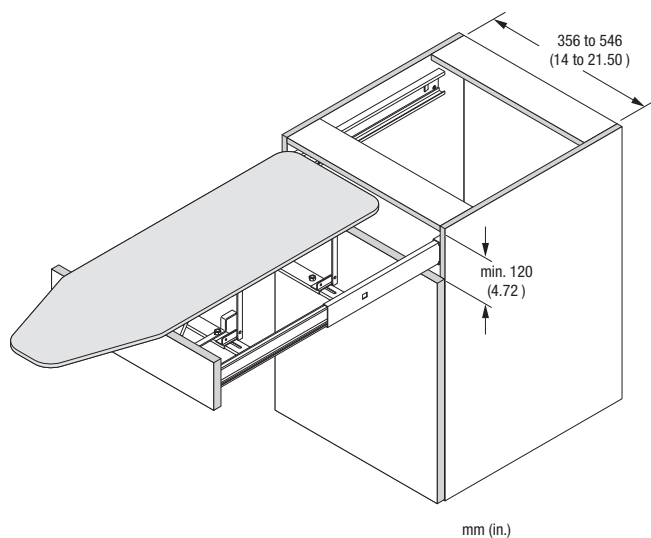
IRONING BOARD

Full-Extension telescopic slide. Fits conveniently into existing drawer space.
200 lbs. capacity

SPECIFICATION DETAILS:

- ▶ Interior widths from 356 mm (14 in.) to 546 mm (21.50 in.)
- ▶ Minimum depth: 510 mm (20 in.)
- ▶ Minimum height: 120 mm (4.75 in.)
- ▶ Ironing board dimensions: 950 mm (37.40 in.) x 300 mm (11.81 in.)
- ▶ Folds out of drawer space, lifts up and then rests against the counter top
- ▶ High quality stable, solid construction

Color	Order No.	MSRP
white	90000120	
Packing Unit: 1 per box		



1. Left Slide
2. Right Slide
3. Support Bracket
4. Drawer Front Bracket
5. Support Bracket



VAUTH-SAGEL
by *Fulterer*

542 Townsend Avenue
High Point, NC 27263
Phone: 1 336 431 4646
1 800 395 4646
Fax: 1 336 431 4620
info@fultererusa.com
www.fultererusa.com

